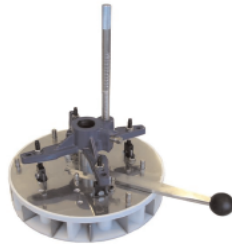


**DSA Series
Dividers-Rounders**

“Superior *quality* product
at an *affordable* price !”



DSA315 - DSA322
DSA330 - DSA336



Interchangeable dough press head



DSA315I - DSA322I
DSA330I - DSA336I

Semi Automatic Dough Divider/Rounder

FEATURING DSA Series

- Interchangeable dough press head
- Dough capacity of 2 lb to 6.6 lb (900g to 3000g)
- Models 15, 22, 30 or 36 pieces
- 3 sanitary rounding plates included
- Perfectly scales and rounds pieces
- No oil in or above product zone
- Cutting knives are stainless steel for sanitary purposes
- Easy snap on and off head cover for easy cleaning
- Head can be tilted to the left side for easy cleaning
- Rounding mechanism runs in grease bath for smooth, quiet and long lasting operation
- Manual motor start with built-in thermal overload protection
- Wheel mounted for easy mobility
- On/Off switch for motor on left side base panel
- Hourly production of up to 3 500 pieces (depending on operator and workflow)
- Virtually maintenance free and extremely durable
- Weight accuracy depends on dough consistency
- Divides dough having an absorption ratio greater than 55%
- ETL & ETL Sanitation listed
- One year parts and labor limited warranty

Optional

- Stainless steel construction (DSA315I, DSA322I, DSA330I & DSA336I)
- Extra 15, 22, 30 or 36 portions dough press heads

Semi Automatic Dough Divider/Rounder

Doyon is your best choice for a superior quality divider/rounder that frees you from the task of dividing and rounding your dough by hand while making it faster, easier and simpler. Better yet, you will be assured of uniformity in dough weight and shape everytime.

OVERALL DIMENSIONS
 23" W X 20" D X 54" H
 (584mm X 508 mm X 1370 mm)

ELECTRICAL SYSTEM

120V - 1PH - 8A - 60 Hz NEMA 5-15P
 208-240V - 1PH - 4A - 60 Hz NEMA 6-15P
 220V - 1PH - 4A - 50 Hz

CAPACITY

DSA315 15 portions
 DSA322 22 portions
 DSA330 30 portions
 DSA336 36 portions

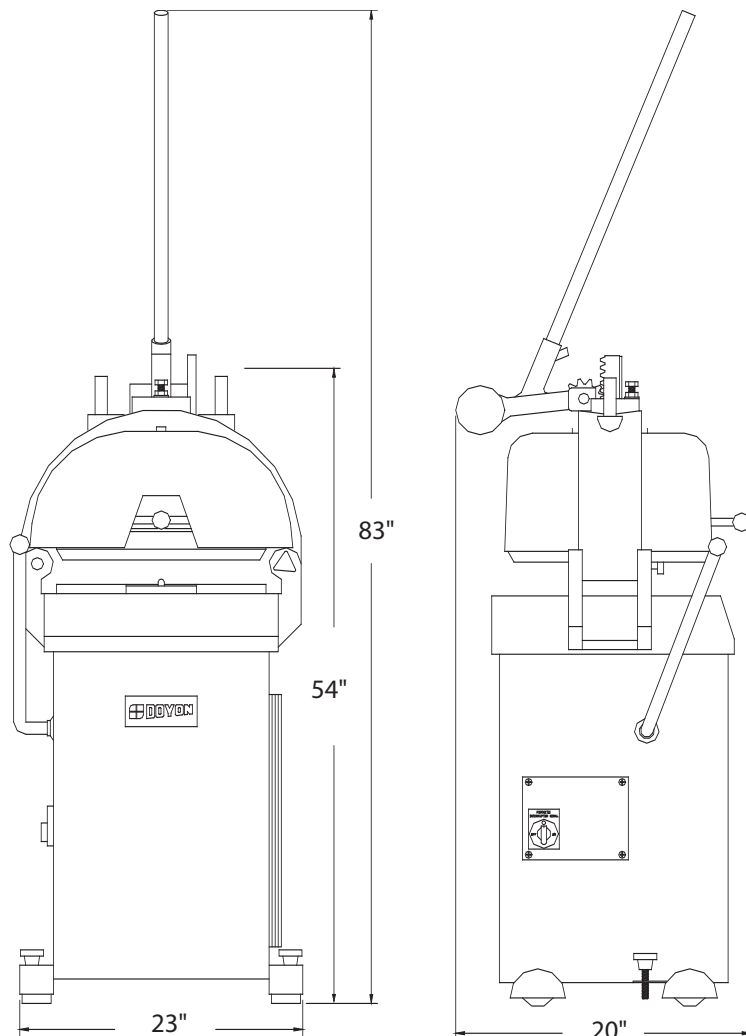
WEIGHT BY PORTION (depending on dough consistency)

Model	Min	Max
DSA315	2.1 oz (60 g)	7 oz (200 g)
DSA322	1.4 oz (40 g)	4.8 oz (136 g)
DSA330	1 oz (30 g)	3.5 oz (100 g)
DSA336	0.8 oz (25 g)	2.9 oz (83 g)

SHIPPING WEIGHT

800 lb (363 kg) approximately

Specifications and design subject to change without notice.



1255, rue Principale
 Linière, Beauce, Québec, Canada G0M 1J0

Telephone : (418) 685-3431 Fax: (418) 685-3948
 Canada : (800) 463-1636 U.S.: (800) 463-4273
 E-Mail : doyon@doyon.qc.ca Internet: http://www.doyon.qc.ca



Your local distributor:

