



DSF015 - DSF022  
DSF030 - DSF036



DSF015I - DSF022I  
DSF030I - DSF036I

### Semi Automatic Dough Divider/Rounder

Doyon is your best choice for a superior quality divider/rounder that frees you from the task of dividing and rounding your dough by hand while making it faster, easier and simpler. Better yet, you will be assured of uniformity in dough weight and shape everytime.

### DSF Series Dividers-Rounders

“Superior *quality* product  
at an *affordable* price !”

### Semi Automatic Dough Divider/Rounder

#### FEATURING DSF Series

- Dough capacity of 2 lb to 6.6 lb (900g to 3000g)
- Models 15, 22, 30 or 36 portions
- 3 sanitary rounding plates included
- Perfectly scales and rounds pieces
- No oil in or above product zone
- Cutting knives are stainless steel for sanitary purposes
- Easy snap on and off head cover for easy cleaning
- Head can be tilted to the left side for easy cleaning
- Rounding mechanism runs in grease bath for smooth, quiet and long lasting operation
- Manual motor start with built-in thermal overload protection
- Wheel mounted for easy mobility
- On/Off switch for motor on left side base panel
- Hourly production of up to 3 500 pieces (depending on operator and workflow)
- Virtually maintenance free and extremely durable
- Weight accuracy depends on dough consistency
- Divides dough having an absorption ratio greater than 55 %
- ETL & ETL Sanitation listed
- One year parts and labor limited warranty

#### Optional

- Stainless steel construction (DSF015I, DSF022I, DSF030I & DSF036I)

**OVERALL DIMENSIONS**  
 23" W X 20" D X 54" H  
 (584mm X 508 mm X 1384 mm)

**ELECTRICAL SYSTEM**  
 120V - 1PH - 8A - 60 Hz NEMA 5-15P  
 208-240V - 1PH - 4A - 60 Hz NEMA 6-15P  
 220V - 1PH - 4A - 50 Hz

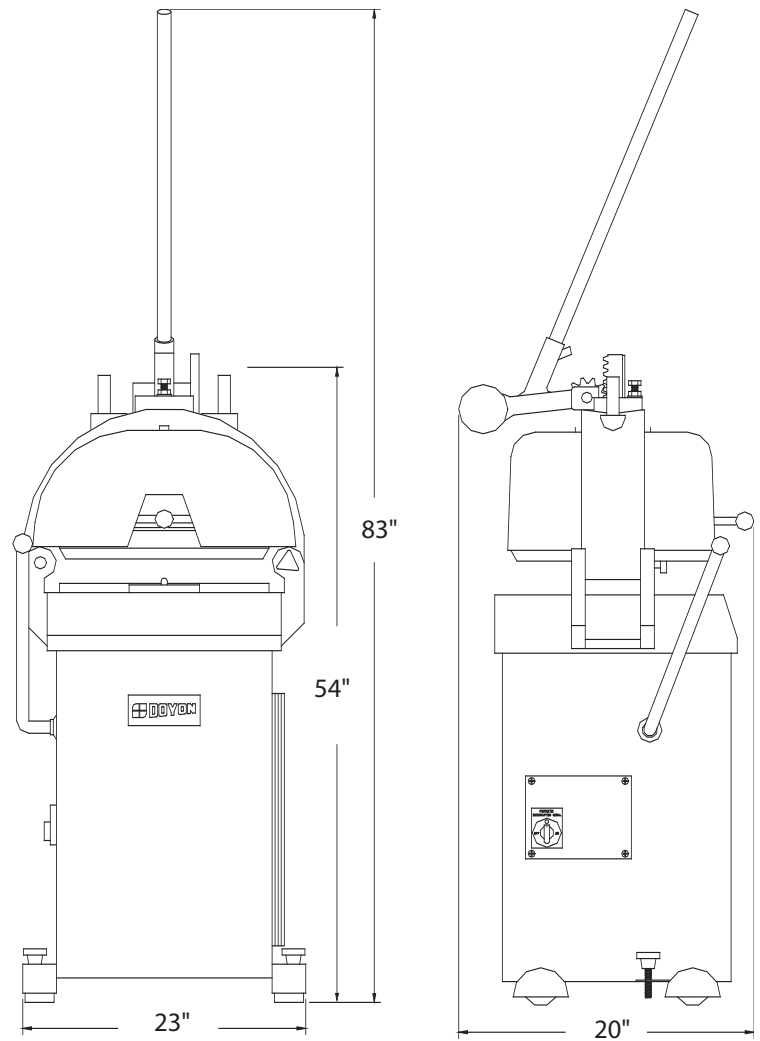
**CAPACITY**  
 DSF015 15 portions  
 DSF022 22 portions  
 DSF030 30 portions  
 DSF036 36 portions

**WEIGHT BY PORTION (depending on dough consistency)**

Model	Min	Max
DSF015	2.1 oz (60 g)	7 oz (200 g)
DSF022	1.4 oz (40g)	4.8 oz (136 g)
DSF030	1 oz (30 g)	3.5 oz (100 g)
DSF036	0.8 oz (25 g)	2.9 oz (83 g)

**SHIPPING WEIGHT**  
 800 lb (363 kg) approximately

Specifications and design subject to change without notice.



1255, rue Principale  
 Linière, Beauce, Québec, Canada G0M 1J0

Telephone : (418) 685-3431      Fax: (418) 685-3948  
 Canada : (800) 463-1636      U.S.: (800) 463-4273  
 E-Mail : doyon@doyon.qc.ca      Internet: <http://www.doyon.qc.ca>



Your local distributor:

